



## High pressure bursting discs

### Benefits

- Individual product specification for material, pressure and dimension
- Suitable for high pressures
- Optimum tightness even at extremely high pressures
- Space-saving and simple installation

### Description

We offer our customers two types of standard high pressure bursting discs: conical (cap form) and flat bursting discs.

High pressure bursting discs in cap form are made from nickel, nickel-based material (Monel, Inconel, Hastelloy\*) or stainless steel and are ideal for use with pressures between 400 and 7,000 bar.

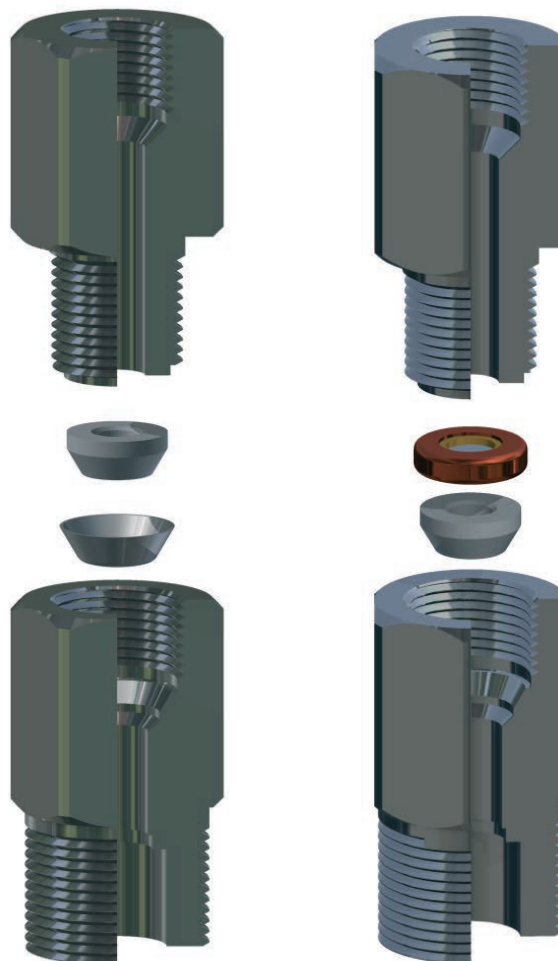
Our flat, flanged bursting discs with nickel foil, nickel-based material, stainless steel or titanium are perfect for pressures of less than 400 bar.

### Installation

Our high pressure bursting discs in cap form are used together with a cone shaped pressure pad in the conical seat of a high pressure screw connection and are characterised by their extreme tightness.

The flat, flanged high pressure bursting discs by contrast are positioned above the pressure pad in a high pressure screw connection.

\*Monel, Inconel and Hastelloy are registered trade names



Conical high pressure  
bursting disc in  
screw connection

Flat high pressure  
bursting disc in  
screw connection

### Function

High pressure bursting discs are used, for example, in high pressure pumps, test benches for diesel high pressure pumps, extraction and water jet cutting plants and prevent the equipment from being damaged by unauthorised excess pressure. This avoids high repair costs and tedious stoppage periods.



## Technical data

### General remarks

Configuration	conical or flanged
Media	gas, steam, liquids
Temperature range	-40°C to +300°C
Tolerance of burst pressure	±10% (±5% for pressures >400 bar)

### Minimum burst pressures in barü at 20 °C

Stainless steel	50
Nickel	10
Monel	50
Inconel	50
Hastelloy	50

\*For materials not listed, please enquire.

### Materials

Stainless steel	standard application
Nickel	for lowest pressures
Monel	for low pressures
Inconel	for high temperatures
Hastelloy	esp. corrosion-resistant

\* Special materials on request.

### Certifications

CE marking according to Directive  
2014/68 EU

QM-system according to ISO 9001:2015